

°xl(amp)

This lamp was initially designed to mark the edge of a fair booth and simultaneously present images on the inside. The lamp shade foil is foldable. This allows for easy transport and makes it possible to cover the lamp with a photo film. The lamp, by virtue of its size, defines its own space.

Design by Bart Lens







Foyer Universum Bremen

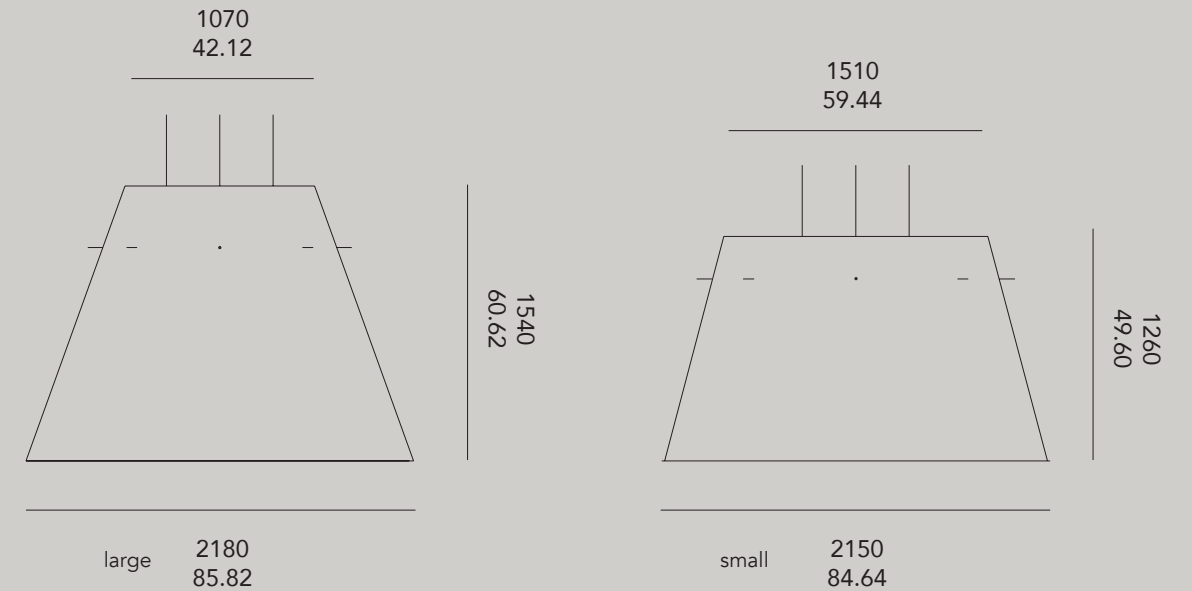


Office Nulens, Belgium - architect Lens°ass - photograph by Philippe van Gelooven

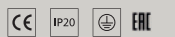




Kitchen concept Obumex - architect Lens°ass



°xl(amp) large



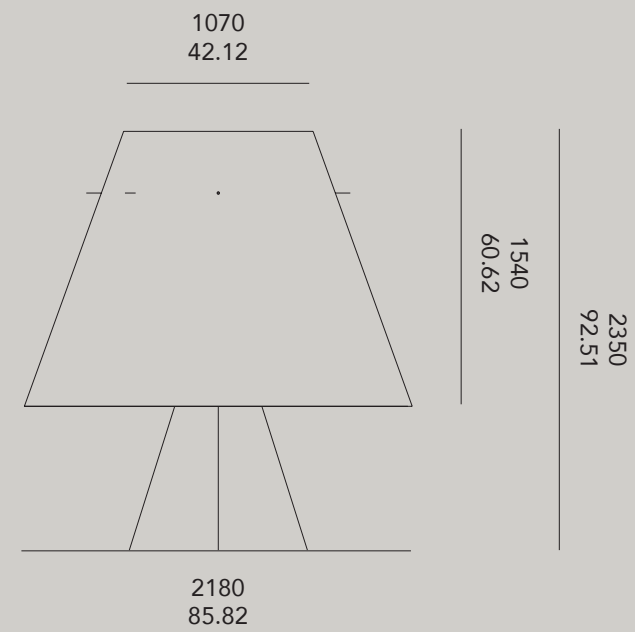
XL.154.000	Xlamp h154 - 1 x E27 - excl lamp
XL.154.RGB.M	Xlamp h154 - 1 x E27 socket + RGB LED Master with remote control - excl lamp
XL.154.RGB.S	Xlamp h154 - 1 x E27 socket + RGB LED slave - excl lamp
XL.154.RGB.DMX	Xlamp h154 - 1 x E27 socket + RGB LED DMX controllable - excl lamp
XL.154.RGB.DAL	Xlamp h154 - 1 x E27 socket + RGB LED DALI controllable - excl lamp

°xl(amp) small



XL.126.000	Xlamp h126 - 1 x E27 - excl lamp
XL.126.RGB.M	Xlamp h126 - 1 x E27 socket + RGB LED Master with remote control - excl lamp
XL.126.RGB.S	Xlamp h126 - 1 x E27 socket + RGB LED slave - excl lamp
XL.126.RGB.DMX	Xlamp h126 - 1 x E27 socket + RGB LED DMX controllable - excl lamp
XL.126.RGB.DAL	Xlamp h126 - 1 x E27 socket + RGB LED DALI controllable - excl lamp

material: polyester - weight: max 34kg / 1.200oz - included: 2m cable, ceiling rose, 3 suspension elements - 230VAC - max 1000W



°xl(amp) floor



XL.154.127.FLR

1xE27 socket floor - excl lamp

material: polyester & steel - weight 36 kg / 1270 oz - included: 2m cable - 230VAC - max 1000W