


°led line

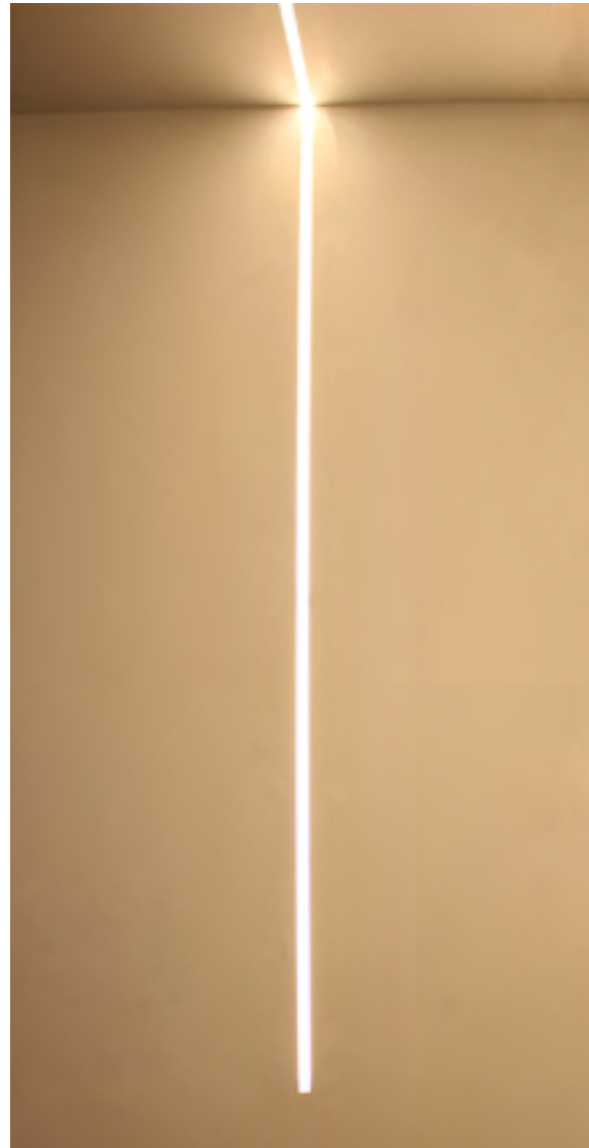


Continues lines of light,  
without limits.  
Each led module can be  
cut every 8 cm, this gives  
architects and lighting  
designers a lot of flexibility.  
Led line has a very good  
efficiency. A high tech  
diffuser was implemented  
to block as less light as  
possible and still give an  
opal look. Led line can be  
installed surface mounted,  
recessed and pendant.  
It offers a lot of control  
possibilities: DALI, 1-10V  
and DMX. Available in  
anodized aluminum, black  
or white.

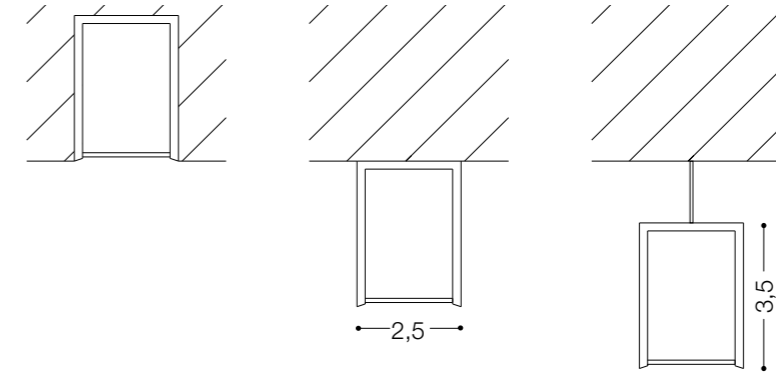


°led line 60





°led line 25



°led line 25

colours

**LL25.2000.C.T.K**

led line 25 - standard length 2000 mm - led modules cuttable every 8 cm

**C** - body colour  
**T** - mount type  
**K** - LED colour

**BK**= Black, **WH**= White, **AL**= Aluminium  
**BI**= Built in (recessed), **SM**= Surface mounted, **PD**= Pendant  
**27**= 2700K, **30**= 3000K, **RGB**= Red + Green + Blue

**LL25.L.C.T.K**

led line 25 - custom length

**L** - length  
**C** - body colour  
**T** - mount type  
**K** - LED colour

100...4000 mm  
**BK**= Black, **WH**= White, **AL**= Aluminium  
**BI**= Built in (recessed), **SM**= Surface mounted, **PD**= Pendant  
**27**= 2700K, **30**= 3000K, **RGB**= Red + Green + Blue

**Required accessoires**

LL25.EC.BK  
LL25.EC.WH  
LL25.EC.AL  
Power Supplies

led line 25 End Cap Black  
led line 25 End Cap White  
led line 25 End Cap Aluminium  
See page 41- 43

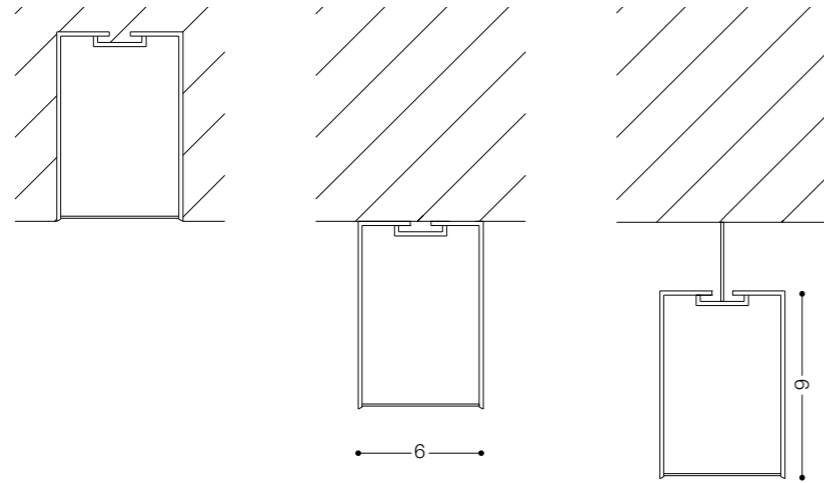
**Optional accessoires**

LDIM.24V  
ed.analog.1-24e  
ed.dali.1-24e  
ed.dmx 1-24e  
ed.booster.1-24e  
ed.analog.3 -24e  
ed.dali.3 -24e  
ed.dmx 3 -24e  
ed.booster.3 -24e

1Channel PWM Dimmer 24V max. 240W , control by 0/1-10V - DIN Rail mount  
1Channel PWM Dimmer 24V max. 145W , control by 0/1-10V  
1Channel PWM Dimmer 24V max. 145W , control by DALI  
1Channel PWM Dimmer 24V max. 145W , control by DMX  
1Channel PWM Dimmer 24V max. 145W , booster for ed.analog/dali/dmx. 1-24e  
RGB PWM Dimmer 24V max , 145W , control by 1-10V  
RGB PWM Dimmer 24V max. 145W , control by DALI  
RGB PWM Dimmer 24V max. 145W , control for DMX  
RGB PWM Dimmer 24V max. 145W , booster for ed.analog/dali/dmx. 3-24e

material: anodized / painted aluminium - weight: 0,8 kg/m - 24VDC - 13W/m





°led line 60

colours

LL60.2000.**C.T.K** led line 60 - standard length 2000 mm - led modules cuttable every 8 cm

**C** - body colour **BK**= Black, **WH**= White, **AL**= Aluminium  
**T** - mount type **BI**= Built in (recessed), **SM**= Surface mounted, **PD**= Pendant  
**K** - LED colour **27**= 2700K, **30**= 3000K

LL60.**L.C.T.K** led line 60 - custom length

**L** - length 100...4000 mm  
**C** - body colour **BK**= Black, **WH**= White, **AL**= Aluminium  
**T** - mount type **BI**= Built in (recessed), **SM**= Surface mounted, **PD**= Pendant  
**K** - LED colour **27**= 2700K, **30**= 3000K

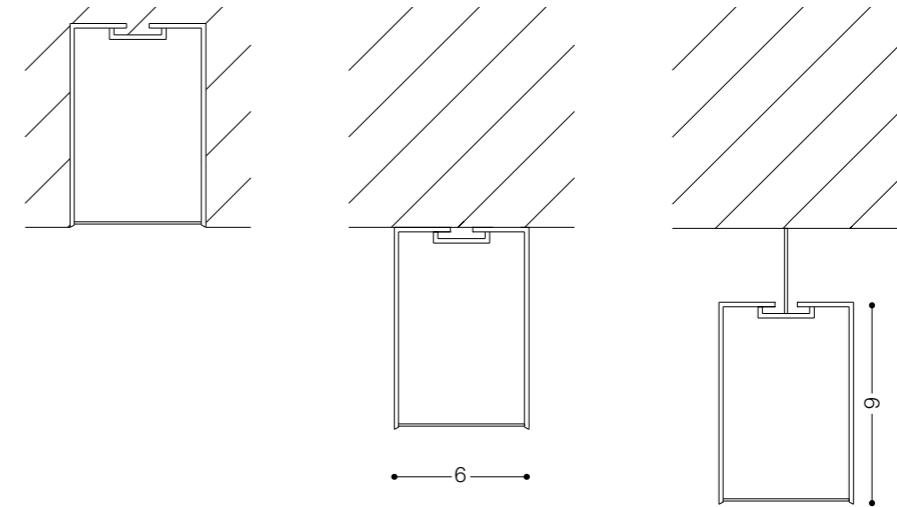
**Required accessoires**

LL60.EC.BK Track End Cap Black  
 LL60.EC.WH Track End Cap White  
 LL60.EC.AL Track End Cap Aluminium

**Optional accessoires**

LL60.MB Mounting Bracket for recessed mounting  
 LL60.MC.ST Mechanical Connector plate Straight  
 LL60.MC.90° Mechanical Connector plate 90°  
 LL60.CORN.RND.BK.27 Corner Round Black 2700K  
 LL60.CORN.RND.BK.30 Corner Round Black 3000K  
 LL60.CORN.RND.WH.27 Corner Round White 2700K  
 LL60.CORN.RND.WH.30 Corner Round White 3000K

material: anodized / painted aluminium - weight: 2,5 kg/m - 230VAC - 26W/m - Not dimmable



°led line 60 - Dimmable

colours

LL60.2000.**C.T.K** led line 60 - standard length 2000 mm - led modules cuttable every 8 cm

**C** - body colour **BK**= Black, **WH**= White, **AL**= Aluminium  
**T** - mount type **BI**= Built in (recessed), **SM**= Surface mounted, **PD**= Pendant  
**K** - LED colour **27**= 2700K, **30**= 3000K  
**D** - dimming **DAL**= DALI, **DMX**= DMX, **10V**= 1-10V

LL60.**L.C.T.K.D** led line 60 - custom length

**L** - length 100...4000 mm  
**C** - body colour **BK**= Black, **WH**= White, **AL**= Aluminium  
**T** - mount type **BI**= Built in (recessed), **SM**= Surface mounted, **PD**= Pendant  
**K** - LED colour **27**= 2700K, **30**= 3000K  
**D** - dimming **DAL**= DALI, **DMX**= DMX, **10V**= 1-10V

**Required accessoires**

LL60.EC.BK Track End Cap Black  
 LL60.EC.WH Track End Cap White  
 LL60.EC.AL Track End Cap Aluminium

**Optional accessoires**

LL60.MB Mounting Bracket for recessed mounting  
 LL60.MC.ST Mechanical Connector Straight  
 LL60.MC.90° Mechanical Connector plate 90°  
 LL60.CORN.RND.BK.27 Corner Round Black 2700K  
 LL60.CORN.RND.BK.30 Corner Round Black 3000K  
 LL60.CORN.RND.WH.27 Corner Round White 2700K  
 LL60.CORN.RND.WH.30 Corner Round White 3000K

material: anodized / painted aluminium - weight: 2,5 kg/m - 230VAC - 26W/m

