

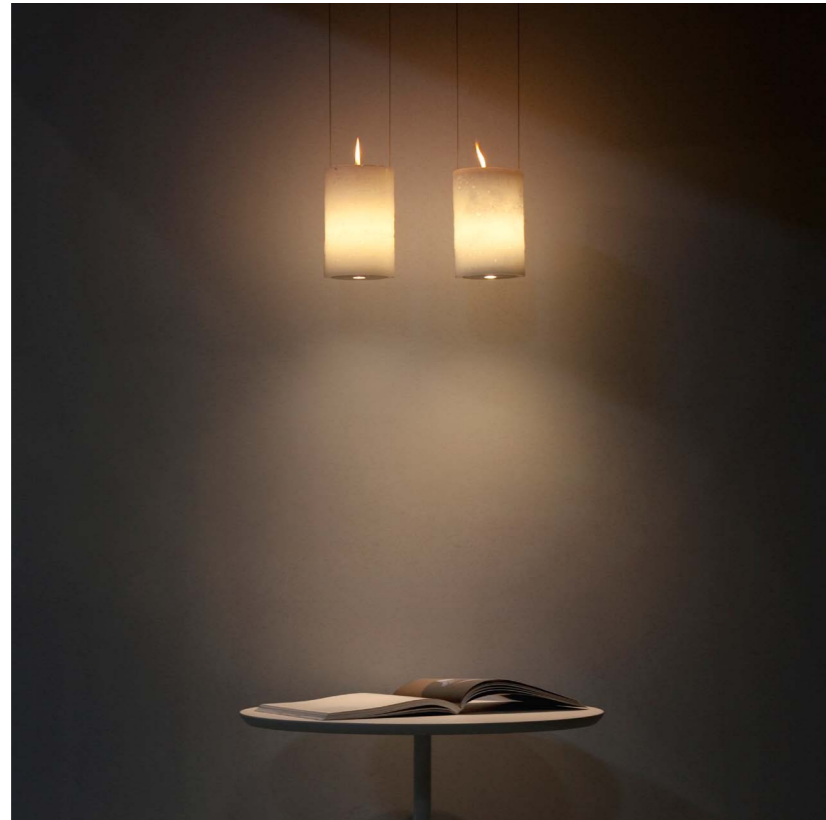
°led on fire

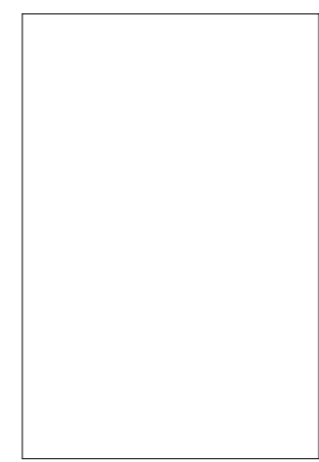
In a T-restaurant in Peking (China), Mr. Lens was eating at an immense mirror table with candles hanging above him. It was cozy, romantic, but also streamlined and modern. For another design we already experimented with hanging led-lights suspended from low charged wires.

We marveled at the vision of a completely accidental, out-of-the box combination of a led underneath a burning candle. The effect of the translucent candle-emulsion was also heartwarming. The apparition of a led fixture, burning, not at all kitschy, with light shimmering through the material structure is imprinted on our minds. "The led is on fire", we tried it out.

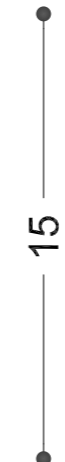
design by Bart Lens.



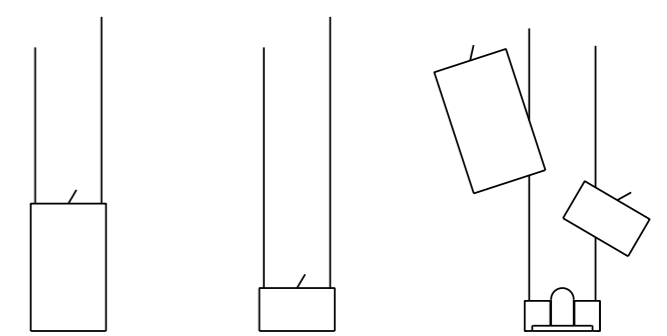




10



15



candle burns

replacing candle

°led on fire

LOF led on fire

Accessoires

- LOF.ROS.R Ceiling rose Recessed
- LOF.ROS.T Ceiling rose Trimless
- LOF.ROS.S Ceiling rose Surface mount
- LOF.RC Replacement waxcandle

materials: aluminium, glass, wax candle - weight: 1,2 kg - indoor use - 230VAC - max 4W
 included: 2m cables and LED driver 1-10V dimmable

